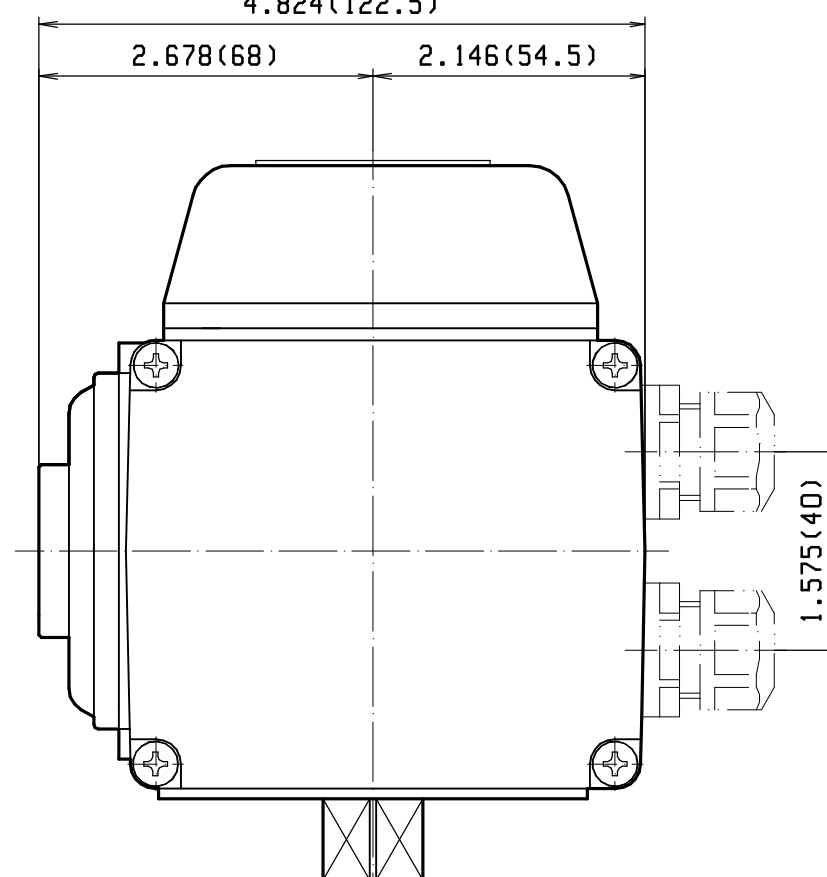
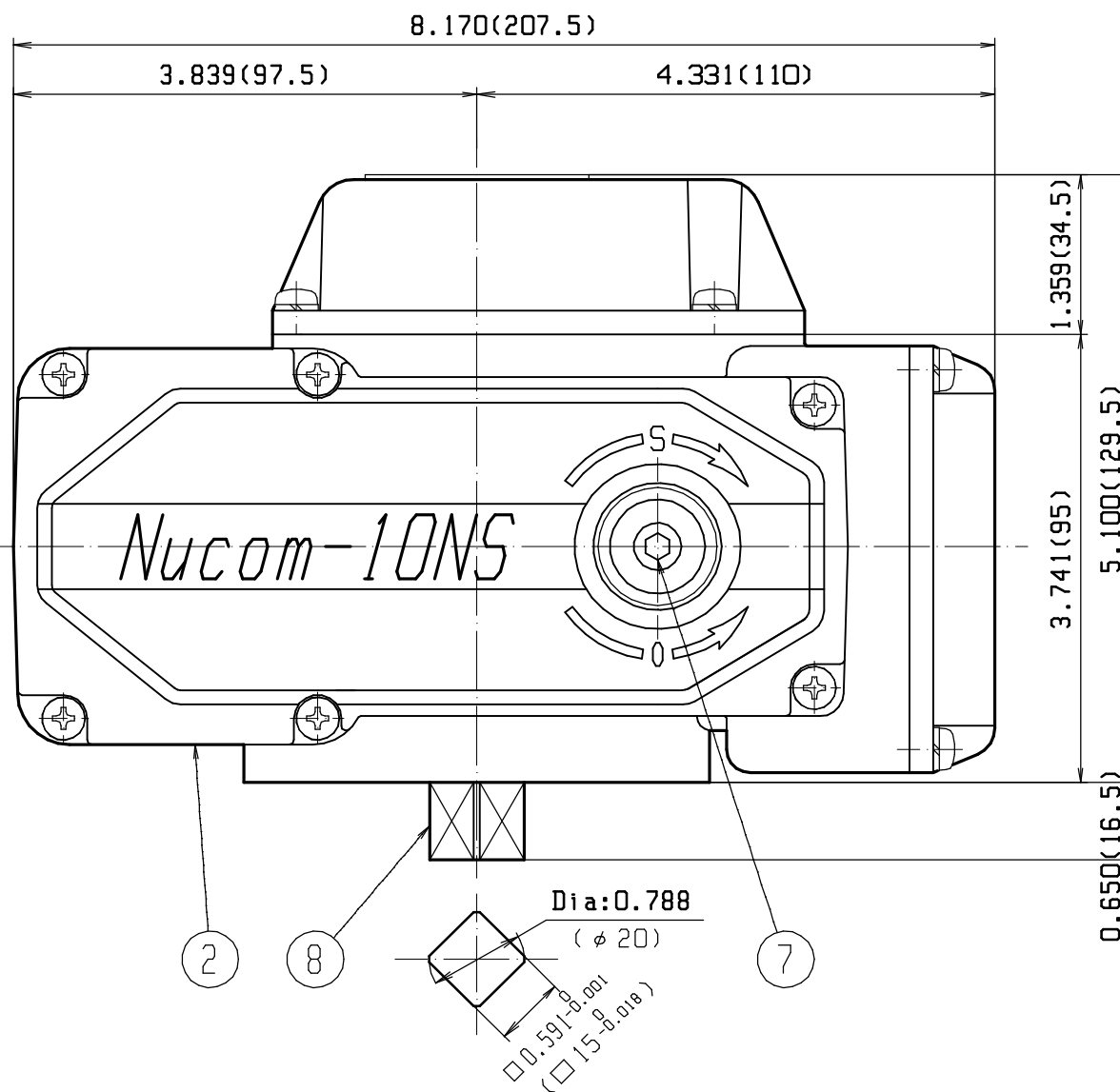


| No. | NAME OF PART                   | Q'TY | M T L  | REMARKS |
|-----|--------------------------------|------|--------|---------|
| 1   | Body                           | 1    | ADC12  |         |
| 2   | Driving unit cover             | 1    | ADC12  |         |
| 3   | Apertometer 0~90° 10div.       | 1    | GLASS  |         |
| 4   | Electric unit cover            | 1    | ADC12  |         |
| 5   | Control unit cover             | 1    | ADC12  |         |
| 6   | Wiring hole                    | 2    | -      | NPT1/2  |
| 7   | Manual handle shaft            | 1    | S45C   |         |
| 8   | Output shaft                   | 1    | SUS304 |         |
| 9   | Stopper                        | 1    | ZnDC   |         |
| 10  | Stopper bolt/nut               | 2    | SUS304 |         |
| 11  | Manual handle shaft rubber cap | 1    | NBR    |         |



| DRIVING UNIT SPECIFICATION |   |
|----------------------------|---|
| POWER SOURCE               | AC115V · 120V · 240V<br>60Hz Single phase |
| CONTROL ANGLE              | 0~90° degree.                             |
| OPERATION SPEED            | 25sec./90deg.                             |
| OUTPUT SHAFT TORQUE        | 868in-lb (98.066N · m)                    |
| MANUAL OPERATION           | Available                                 |
| INPUT SIGNAL               | 4~20mA · DC                               |
| RESOLUTION                 | Over 1/250                                |
| BODY MATERIAL              | Aluminium diecast                         |
| COATING COLOR              | Gray(N-6)                                 |
| BODY WEIGHT                | 4.4 kg                                    |

OUTPUT SHAFT POSITION : 0 %  
DIMENSIONS ARE INCH(mm)

|                                 |         |                          |
|---------------------------------|---------|--------------------------|
| NAME: ACTUATOR OUTER DIMENSIONS | DATE    | SIGN                     |
| MODEL: Nucom-10NS-30S           | APRV.   |                          |
| KOEI INDUSTRY CO., LTD.         | CONF.   |                          |
|                                 | DRAW.   | 23, JAN, '02 K. SUGIYAMA |
|                                 | DR. No, | 23010GE1                 |